

# HUDSON 60331

WALL

PROJECT



## DESCRIPTION

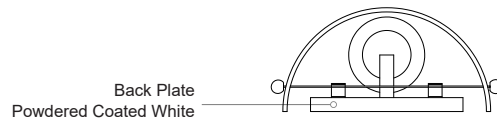
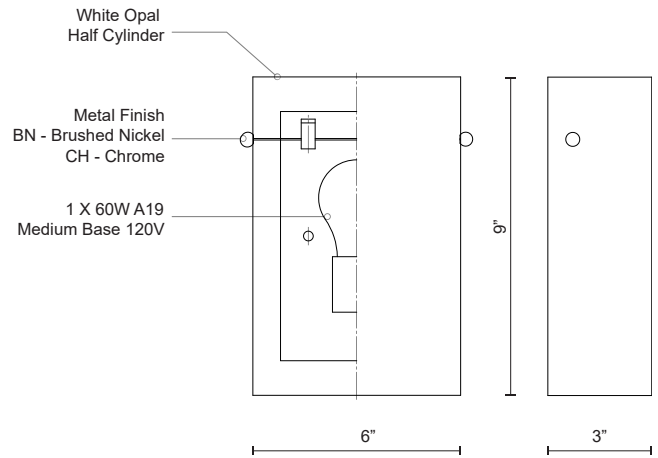
Single lamp wall sconce with half cylinder shaped white opal glass. Metal details in brushed nickel and chrome finish, both decorative nut finish options included within fixture.

## SPECIFICATION DETAILS

<b>Fixture Dimensions</b>	W6" x H9" x E3"
<b>Lamp Type</b>	Incandescent, A19, Medium Base
<b>Wattage</b>	1 x 60W
<b>Voltage</b>	120V
<b>Glass Details</b>	Opal Glass
<b>ADA Compliant</b>	Yes
<b>Location</b>	Dry
<b>Bulbs Included</b>	No
<b>Decorative Hardware</b>	Brushed Nickel and Chrome Nuts (Included)

\* For custom options, consult factory for details.

\* For warranty information, please visit [www.kuzcolighting.com/warranty](http://www.kuzcolighting.com/warranty)



# KUZCO

CANADA: 19054 28TH AVENUE - SURREY, BC V3Z 6M3

USA: 3035 E. LONE MOUNTAIN ROAD - LAS VEGAS, NV 89081

[WWW.KUZCOLIGHTING.COM](http://WWW.KUZCOLIGHTING.COM)

© 2010 KUZCO LIGHTING. ALL RIGHTS RESERVED.

## COMMENT

